

PRODUCT CODE: FA2B
CONDUIT ADAPTOR



DESCRIPTION

3/4"(Male) - 20mm (Female) Conduit Adaptor

FINISH

Black Enamel

MATERIAL

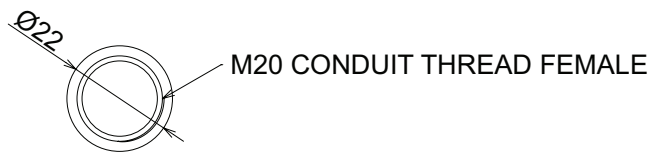
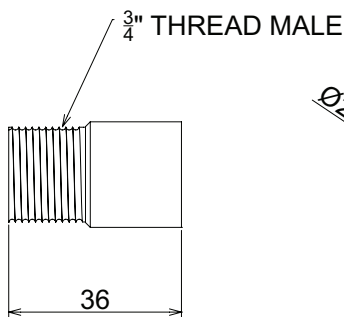
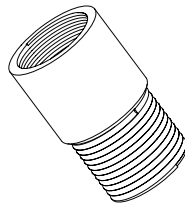
Steel

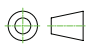
PACKAGING

Packed in qty 100

ADDITIONAL NOTES

Conforms to BS EN61386-1
Compliant to LU Standard 1-085 (for use on surface & sub-surface locations)



 Values are nominal and with a general tolerance $\pm 5\%$ unless otherwise specified